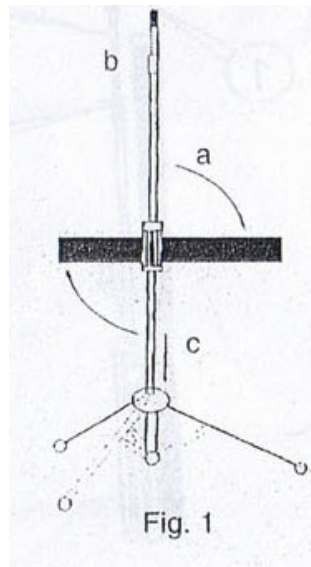


Using the screen

1.a) Turn the screen in a 90-degree horizontal position and b) pull up the extension bar up to the

desired screen position and c)

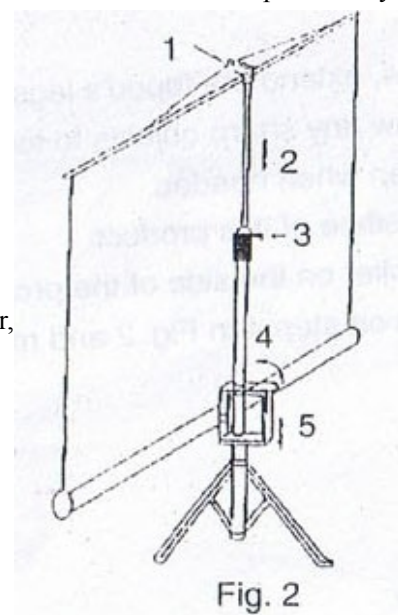


push down the tripod legs to make the

screen stable. (Fig 1)

2. Follow the steps illustrated on Fig. 2, steps 1-2-3-4 to pull the screen handle up smoothly and

vertically to have the screen on the end of the extension bar,



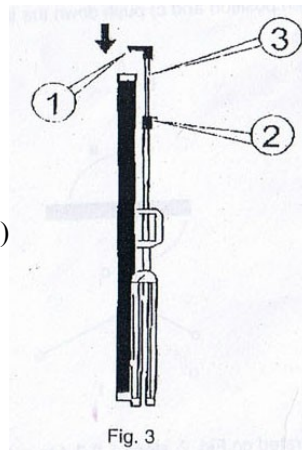
you

can repeat steps 2-3-4 to adjust different height. Repeat 4-5-4 to adjust the low level height.

3. Reverse the steps above to pack up the screen and put away. Hold the extension bar and use another hand to unlock position 2. It is very important to remember to hold the extension and then unlock, or it will cause damage to the screen.

4. Turn the screen in a vertical position as shown in step 1 (Fig. 3) to fix the screen and the tighten

up the bar on step 2(Fig.3)



Note 1:To ensure the screen is stable,extend the tripod's legs as much as possible.

Do not fold the screen or allow any sharp objects to touch the screen's surface.

Clean the screen surface often when needed.

Careful use will extend the lifetime of this product.

NOTE 2:You can also use the Hand Roller on the side of the projection screen(Fig.2)to adjust the screen height.Unlock the position on step 4 inFig.2 and roll the Hand Roller up or down.