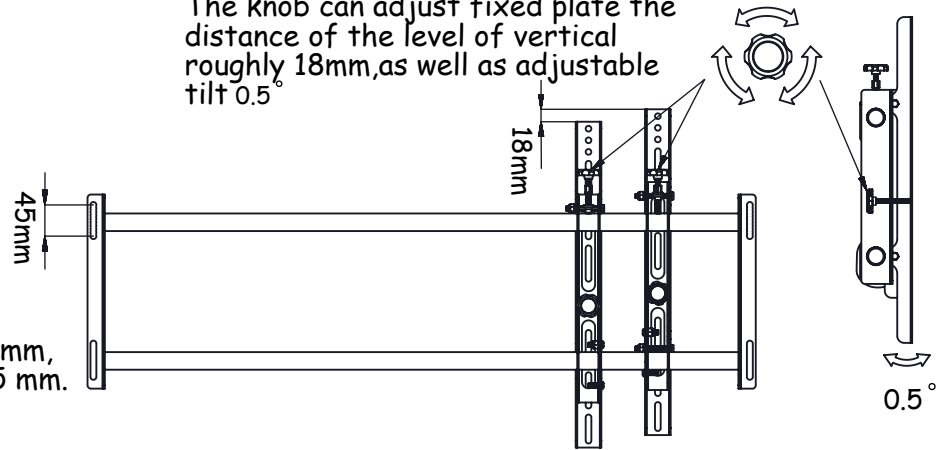
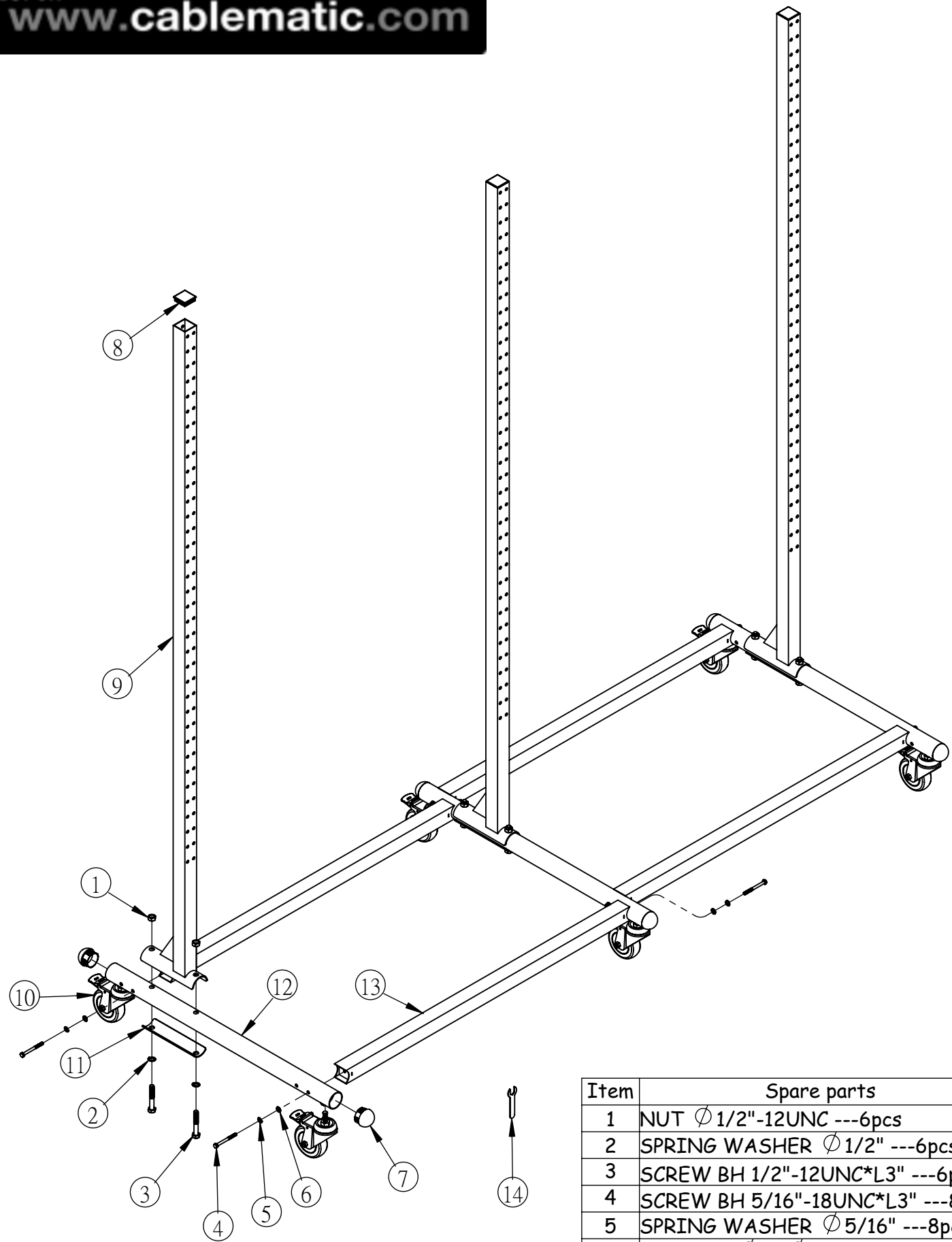


Item	Spare parts	Q'ty
1	NUT $\phi$ 5/16"-18UNC ---8pcs	3
2	WASHER $\phi$ 8* $\phi$ 16 ---28pcs	3
3	SPRING WASHER $\phi$ 5/16" ---8pcs	3
4	SCREW BH 5/16"-18UNC*L2 1/2" ---8pcs	3
5	PLASTIC COVER $\phi$ 25.4 ---4pcs	3
6	SCREW 1/4"-20UNC*L50mm ---6pcs	3
7	SCREW 1/4"-20UNC*L 1/2" ---6pcs	3
8	SCREW M8*P1.25*L15mm ---12pcs	3
9	FIXED PLATE	18
10	ADJUSTMENT GROUP A	3
11	ADJUSTMENT GROUP B	3

The knob can adjust fixed plate the distance of the level of vertical roughly 18mm, as well as adjustable tilt 0.5°



Adjustable up / down of 45mm, each fine-tune the pitch of 5 mm.



Item	Spare parts	Q'ty
1	NUT $\phi$ 1/2"-12UNC ---6pcs	1
2	SPRING WASHER $\phi$ 1/2" ---6pcs	1
3	SCREW BH 1/2"-12UNC*L3" ---6pcs	1
4	SCREW BH 5/16"-18UNC*L3" ---8pcs	1
5	SPRING WASHER $\phi$ 5/16" ---8pcs	1
6	WASHER $\phi$ 8* $\phi$ 16 ---8pcs	1
7	PLASTIC COVER $\phi$ 50.8 ---6pcs	1
8	PLASTIC COVER $\square$ 45*45 ---3pcs	1
9	FIXED TUBE	3
10	WHEEL	6
11	U PLATE	3
12	BASE TUBE	3
13	SQUARE TUBE	4
14	WRENCH NO.21	1