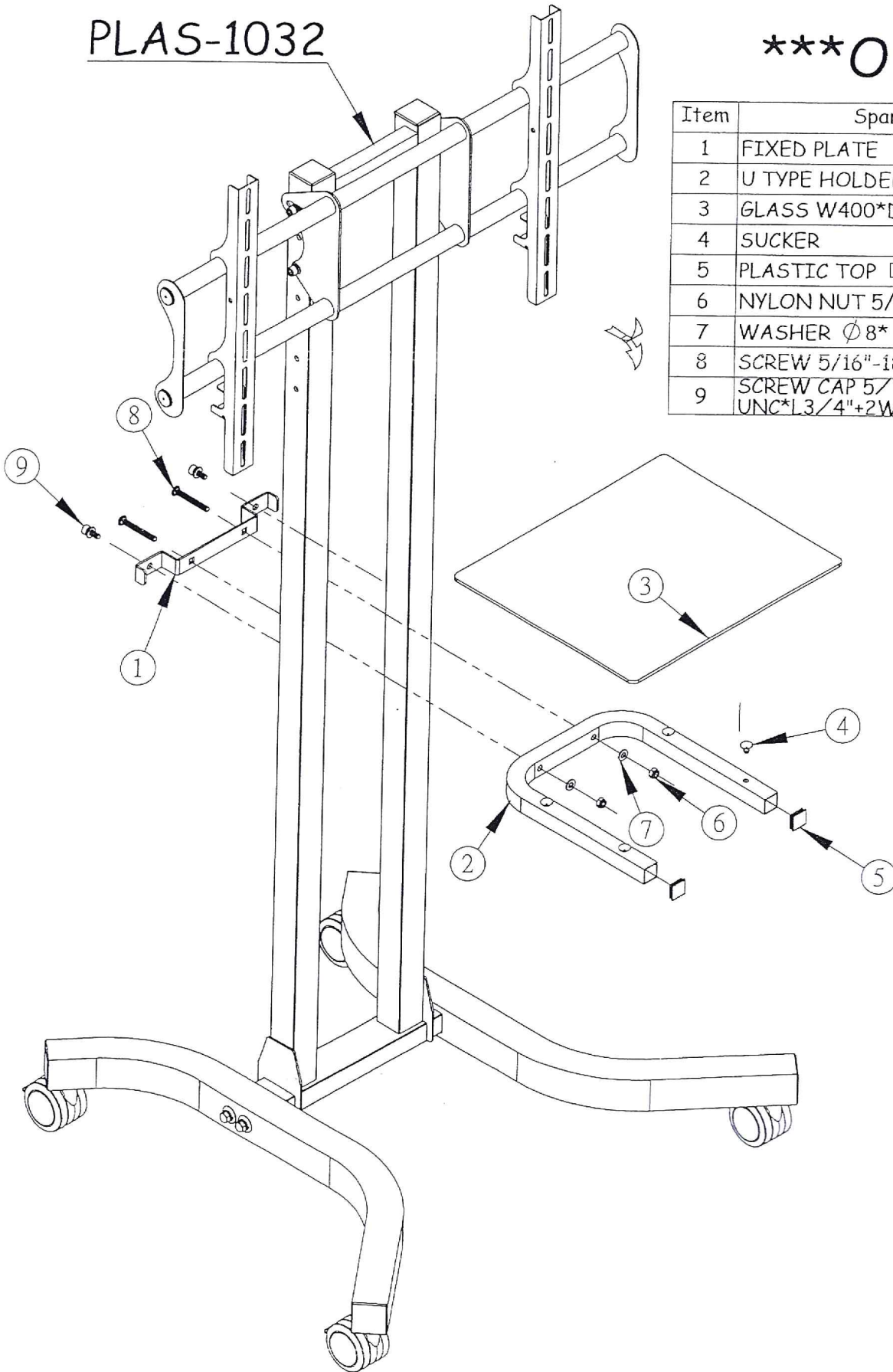


PLAS-1032

OH12



Item	Spare parts	Q'ty
1	FIXED PLATE	1
2	U TYPE HOLDER	1
3	GLASS W400*D350*T=5.0	1
4	SUCKER	4
5	PLASTIC TOP □25*25	2
6	NYLON NUT 5/16"-18UNC	2
7	WASHER $\phi 8^* \phi 16$	2
8	SCREW 5/16"-18UNC*L2 1/4"	2
9	SCREW CAP 5/16" UNC*L3/4"+2WASHERS	2