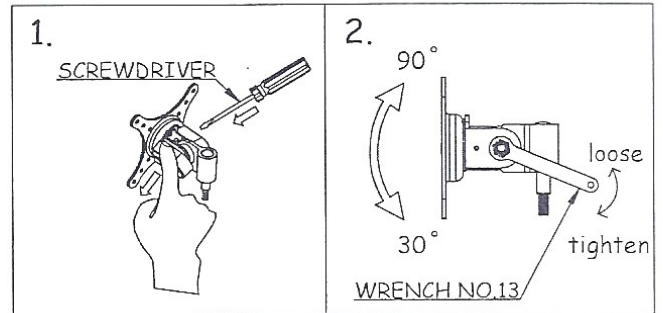


Why my monitors keep flopping?

Answer: Please follow steps below to set the tilting angle



1. Locate the two caps which are on each side of the axis of the monitor bracket.
2. Use a flat-blade screwdriver to push open the caps.
3. Loosen the nut adjust the tilting angle then tighten the nut again.

BUY ON
www.cablematic.com

Item	Spare parts	Q'ty
1	LCD MOUNT ASSEMBLY	3
2	JOINT	3
3	WASHER $\phi 8 * \phi 13$	3
4	SPRING WASHER $\phi 5/16''$	3
5	NYLON NUT 5/16"-18UNC	3
6	WASHER $\phi 12.5 * \phi 25 * T=3$	3
7	FIXED TUBE A	1
8	BRAKE SCREW M6*P1.0*L6	4
9	SLEEVE NUT	1
10	PLASTIC COVER	2
11	BASE PLATE W500*D450*T=5.0	1
12	TUBE CABLE CLIP	3
13	FIXED TUBE B	1
14	GLASS PROTECTOR $\phi 12.6$	4
15	SPRING WASHER $\phi 3/8''$	1
16	SCREW BH 3/8"-16UNC*L58mm	1
17	WASHER $\phi 9.5 * \phi 45$	1
18	BASE	1
19	WHEEL	4
20	WRENCH NO.13	1
21	SCREW M4*P0.7*L12mm FOR LCD	12
22-1	ALLEN WRENCH NO.3	1
22-2	ALLEN WRENCH NO.4	1