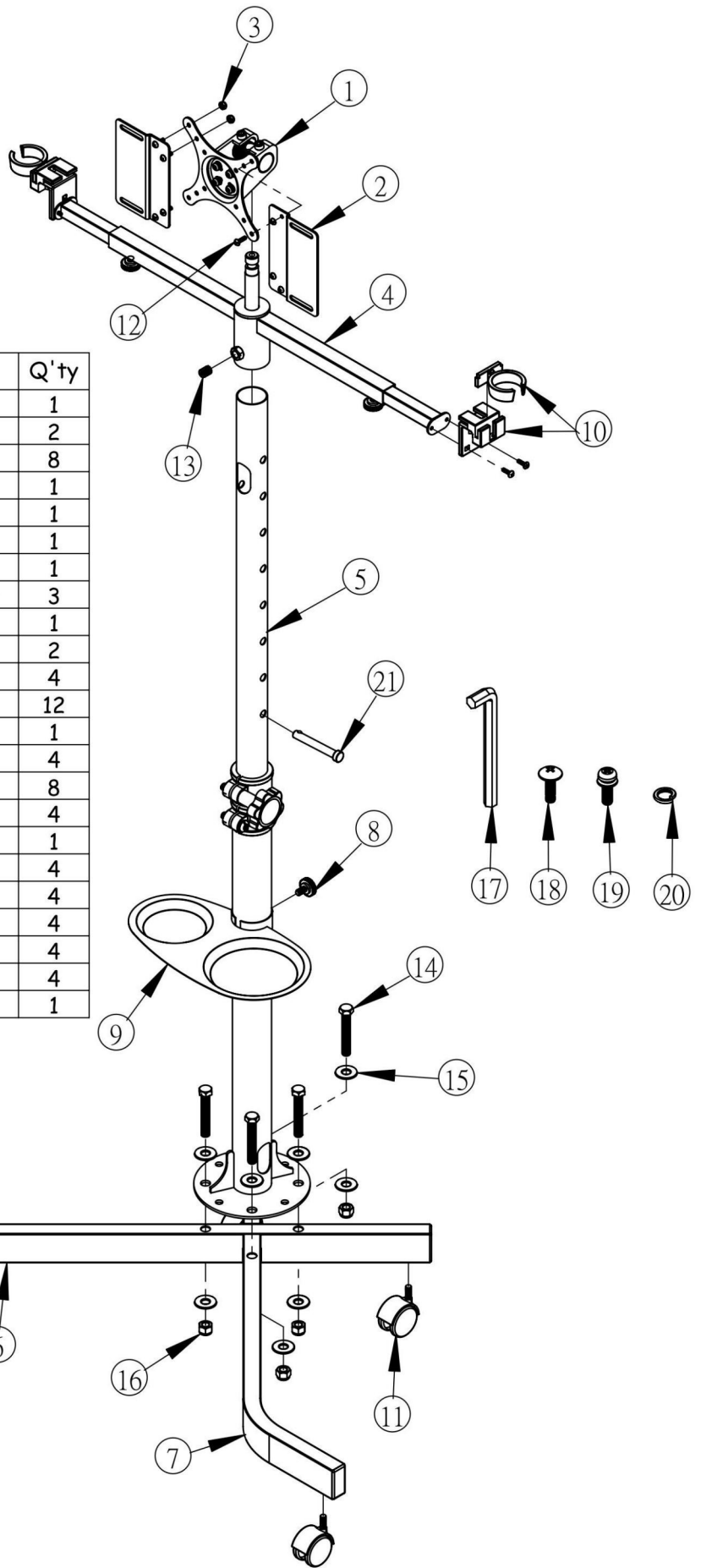


# \*\*\*OU46\*\*\*

Item	Space parts	Q'ty
1	PLATFORM BASE	1
2	EXTENSION FIXED PLATE	2
3	NYLON NUT M4*P0.7	8
4	ARM	1
5	INNER TUBE	1
6	FOOT-RIGHT	1
7	FOOT-LEFT	1
8	ADJUSTING SCREW 1/4"-20UNC*L1/2"	3
9	PLATE FOR ASHTRAY	1
10	MIKE HOLDER SET	2
11	CASTER M8*L5/8"	4
12	SCREW PAN M4*P0.7*L12mm	12
13	SCREW 3/8"-16UNC*L1/2"	1
14	SCREW BH 3/8"-16UNC*L58mm	4
15	WASHER $\phi$ 3/8"* $\phi$ 25	8
16	NYLON NUT 3/8"-16UNC	4
17	ALLEN WRENCH NO.5	1
18-1	SCREW M5*P0.8*L15mm FOR LCD	4
18-2	SCREW M6*P1.0*L15mm FOR LCD	4
19	SCREW M4*P0.7*L12mm FOR LCD	4
20-1	SPRING WASHER $\phi$ 5	4
20-2	SPRING WASHER $\phi$ 6	4
21	BOLT	1



The column can be also fixed on the ground.