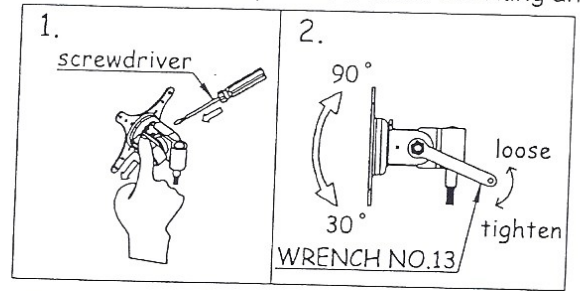


BUY ON

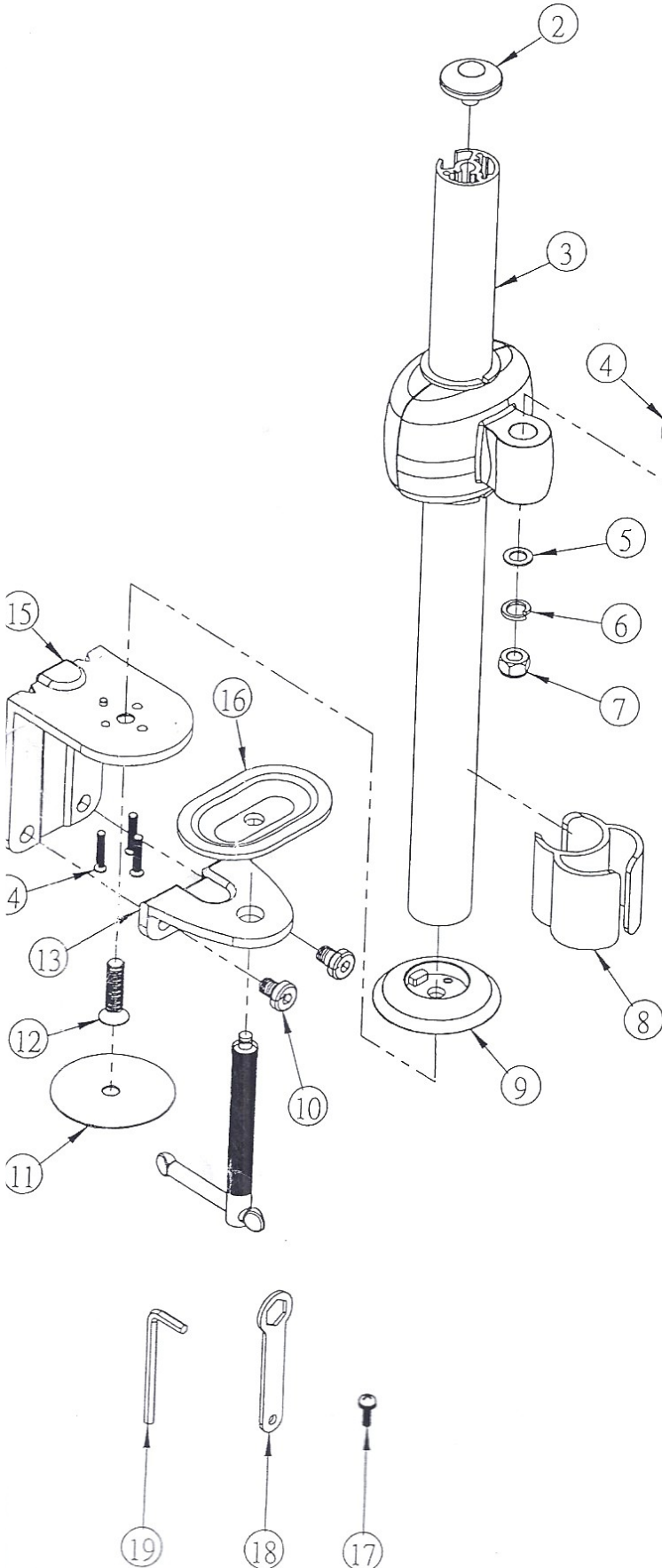
www.cablematic.com

Why my monitors keep flopping?

Answer: Please follow steps below to set the tilting angle

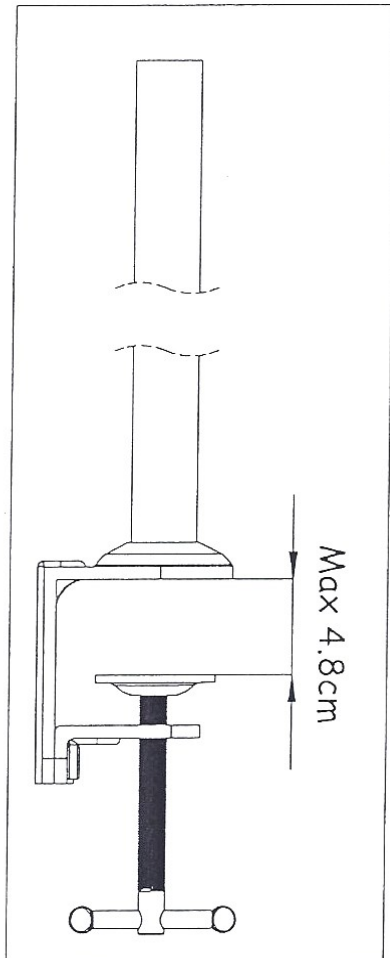


1. Locate the two caps which are on each side of the axis of the monitor bracket.
2. Use a flat-blade screwdriver to push open the caps.
3. Loosen the nut adjust the tilting angle then tighten the nut again.



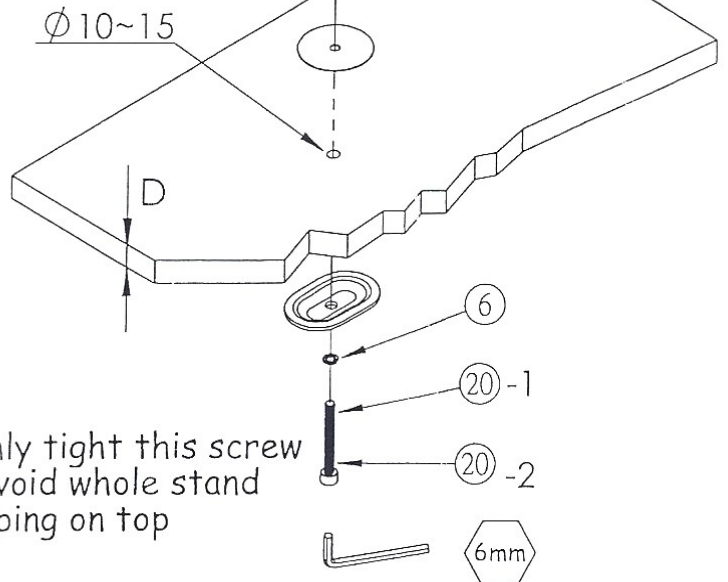
OU81

Item	Spare parts	Q'ty
1	LCD MOUNT ASSEMBLY	1
2	PLASTIC COVER	1
3	ALUMINUM TUBE L=400mm	1
4	WASHER $\phi 12.5 * \phi 25$	1
5	WASHER $\phi 8 * \phi 13$	1
6	SPRING WASHER $\phi 5/16"$	2
7	NYLON NUT $5/16" - 18UNC$	1
8	CABLE CLIP	1
9	BASE	1
10	SCREW CAP $M8 * P1.25 * L10mm$	2
11	PAD $\phi 56$	1
12	SCREW $M8 * P1.25 * L29mm$	1
13	FIXED PLATE-A	1
14	SCREW $M4 * P0.7 * L20mm$	3
15	FIXED PLATE-B	1
16	FIXED PLATE-C	1
17	SCREW $M4 * P0.7 * L12mm$ FOR LCD	4
18	WRENCH NO.13	1
19-1	ALLEN WRENCH NO.4	1
19-2	ALLEN WRENCH NO.5	1
19-3	ALLEN WRENCH NO.6	1
20-1	SCREW CAP $M8 * P1.25 * L60mm$	1
20-2	SCREW CAP $M8 * P1.25 * L75mm$	1



D=10~30mm (20-1)

D=30~50mm (20-2)



Firmly tight this screw to avoid whole stand flopping on top

BUY ON

www.cablematic.com

