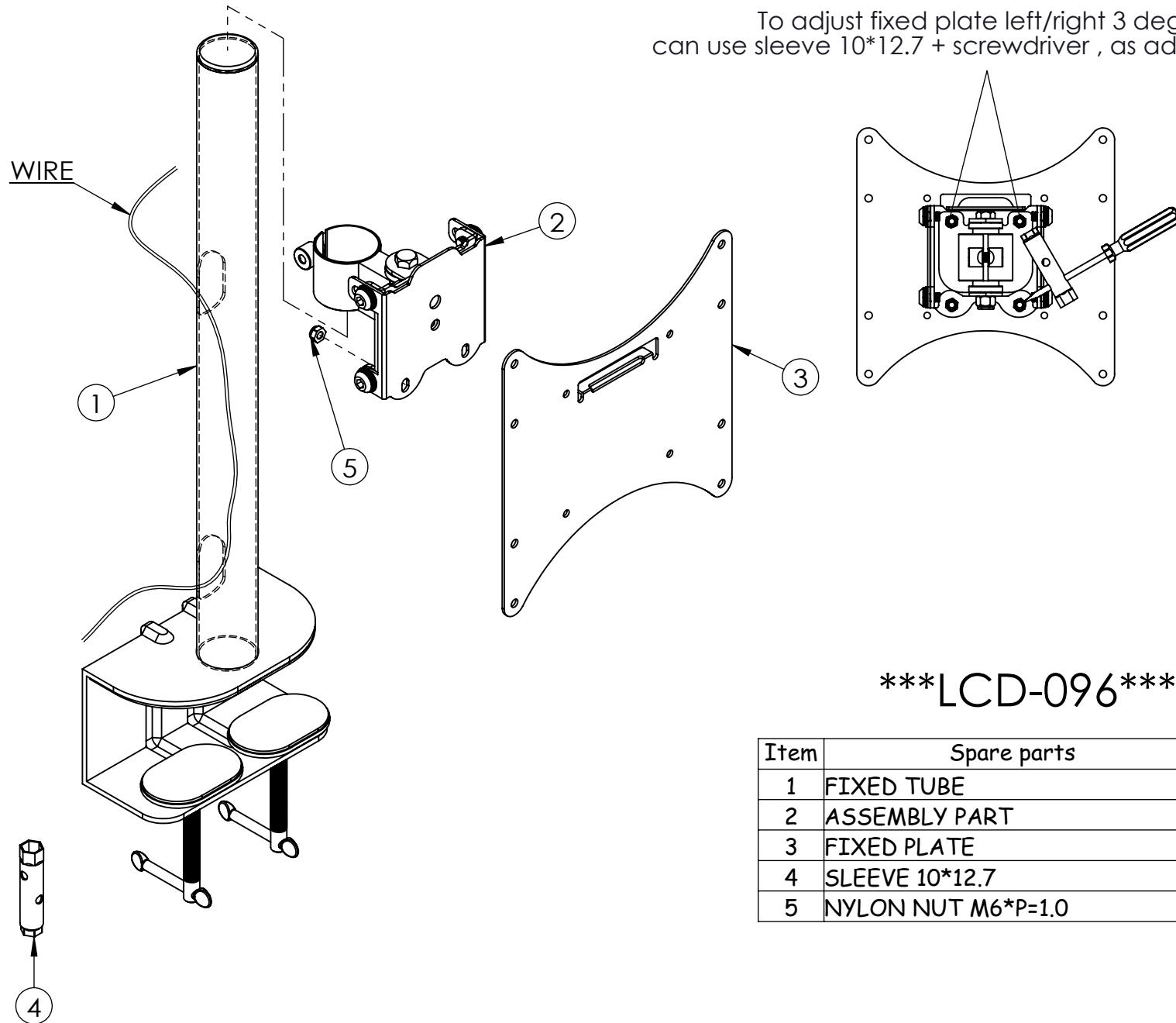
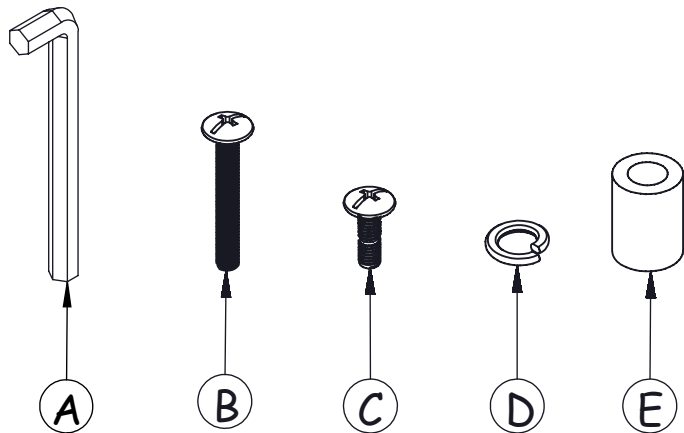


To adjust fixed plate left/right 3 degrees
can use sleeve 10*12.7 + screwdriver , as adjustment tool.



LCD-096

Item	Spare parts	Q'ty
1	FIXED TUBE	1
2	ASSEMBLY PART	1
3	FIXED PLATE	1
4	SLEEVE 10*12.7	1
5	NYLON NUT M6*P=1.0	2



A	ALLEN WRENCH NO.6	1
B-1	SCREW M4*L35mm FOR PDP	4
B-2	SCREW M5*L35mm FOR PDP	4
B-3	SCREW M6*L35mm FOR PDP	4
B-4	SCREW M8*L35mm FOR PDP	4
C-1	SCREW M4*L12mm FOR LCD	4
C-2	SCREW M5*L15mm FOR LCD	4
C-3	SCREW M6*L15mm FOR LCD	4
C-4	SCREW M8*L15mm FOR LCD	4
D-1	SPRING WASHER ϕ 4 FOR PDP	4
D-2	SPRING WASHER ϕ 5 FOR PDP	4
D-3	SPRING WASHER ϕ 6 FOR PDP	4
D-4	SPRING WASHER ϕ 8 FOR PDP	4
E	SLEEVE ϕ 8.5* ϕ 15*L20mm FOR PDP	4